

JVC

SERVICE MANUAL

COLOR TELEVISION

BASIC CHASSIS

FV3

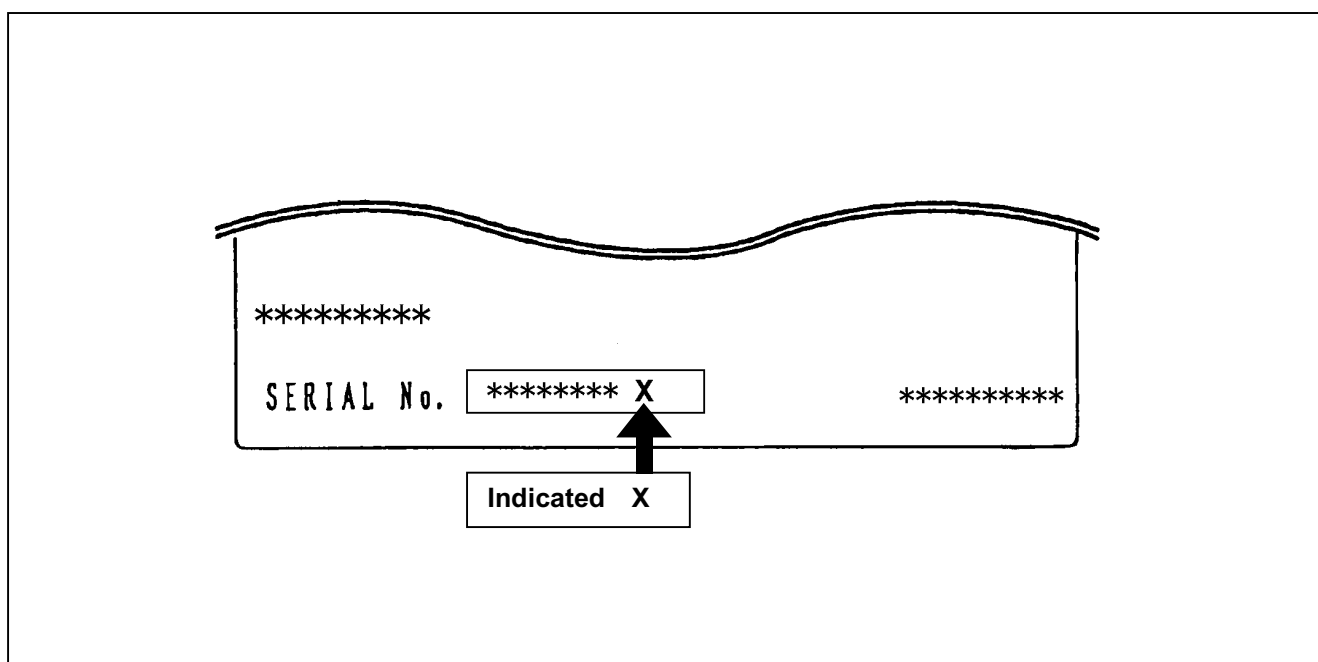
C-N21110_{/X}

Supplementary

The following item for the C-N21110/X model were changed from those of the C-N21110 model. Therefore, this service manual describes only the items which differ from those of the C-N21110 service manual. For details other than those described in this manual, please refer to the C-N21110 service manual (No.51711, Apr. 2000).

MODEL IDENTIFICATION

While referring to the illustration given below, identify model name on the rating label affixed to the rear cover.

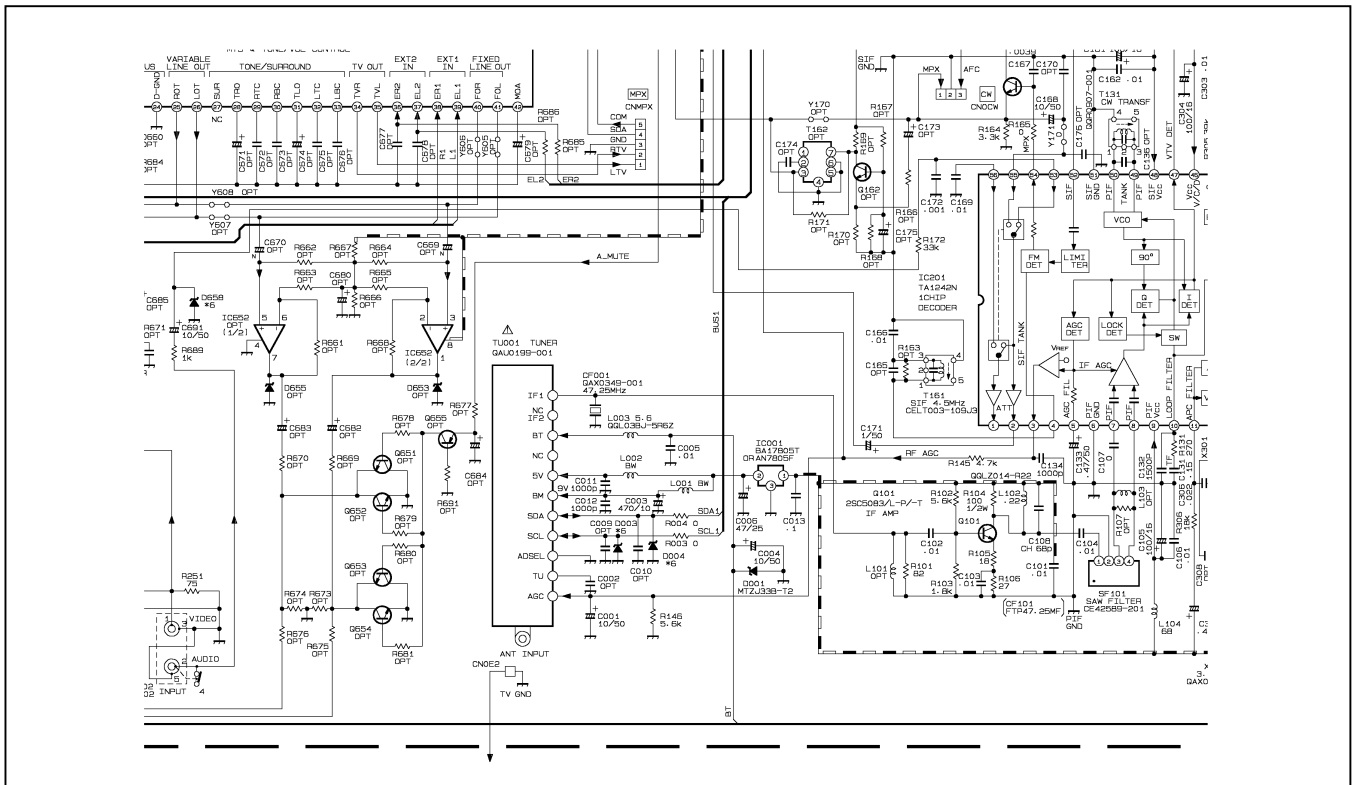
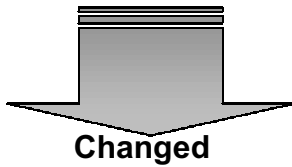
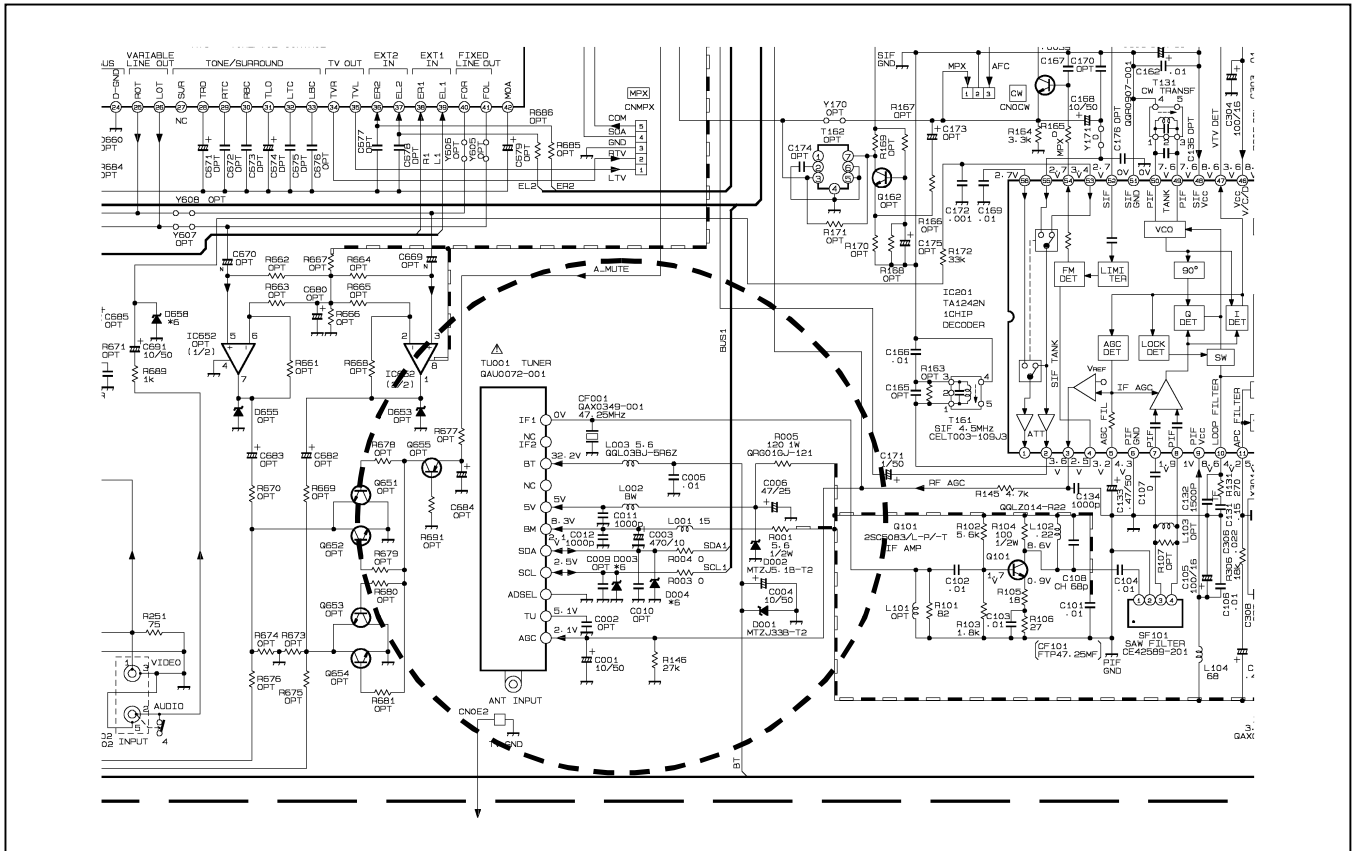


■ DIFFERENCE PARTS LIST

● MAIN PWB PARTS LIST (Page28~31)

△	Ref. No.	Parts Number		Parts Name	Remarks
		C-N21110 (No.51711)	C-N21110/X (No.51711B)		
		SFV-1019A-M2	SFV-1054A-M2	Main PWB	Not Interchangeable
	R1001	QRE121J-5R6Y	_____	C RESISTER	Delete
	R1005	QRG01GJ-121	_____	OM RESISTER	↑
	R1146	NRSA02J-273X	NRSA02J-562X	CHIP RESISTER	Not Interchangeable
	C1006	QETN1CM-476Z	QETN1EM-476Z	E CAP.	↑
	C1013	_____	NCB21HK-104X	CHIP C CAP.	Addition
	C1138	QETN1CM-476Z	QETN1EM-476Z	E CAP.	Not Interchangeable
	C1217	QETN1CM-476Z	QETN1EM-476Z	E CAP.	↑
	C1511	QETN1CM-476Z	QETN1EM-476Z	E CAP.	↑
	C1716	QETN1CM-476Z	QETN1EM-476Z	E CAP.	↑
	C1751	QETN1CM-476Z	QETN1EM-476Z	E CAP.	↑
	C1922	QEHB2CM-336	QEHQ2CM-336	E CAP.	↑
	L1001	QQL03BJ-150Z	_____	PEAKING COIL	Delete
	IC1001	_____	AN7805F	I.C.	Addition
	D1002	MTZJ5.1B-T2	_____	CHIP ZENER	Delete
	CF1001	FTP47.25MF	QAX0349-001	CERAMIC FILTER	Not Interchangeable
△	TU1001	QAU0072-001	QAU0199-001	TUNER	↑

Changed around the Tuner(Page 2-5)



JVC

VICTOR COMPANY OF JAPAN, LIMITED

TELEVISION RECEIVER DIVISION 1106 Heta, Iwai-city, Ibaraki-prefecture, 306-0698, Japan

CN21110X-MEM

#3



Printed in Japan
DP 0009
DP1054